



EXHIBIT A

LEGAL DESCRIPTION

LEGAL DESCRIPTION

That portion of the Southeast quarter of Section 34, Township 3 North, Range 1 East of the Gila and Salt River Base and Meridian, Maricopa County, Arizona, more particularly described as follows;

COMMENCING at the Southeast corner of said Section 34, a brass cap in hand hole, from which East quarter corner of said Section 34, a brass cap in handhole, bears North 00° 00' 44" East, a distance of 2,635.88 feet (basis of bearing).

Thence North 00° 00' 44" East, along the East line of said Section 34, a distance of 642.82 feet;

Thence departing said East line, North 89° 55' 06" West, a distance of 77.70 feet to the POINT OF BEGINNING;

Thence South 00° 00' 44" West, a distance of 120.00 feet;

Thence North 89° 59' 54" West, a distance of 80.00 feet;

Thence North 00° 00' 44" East, a distance of 120.00 feet;

Thence South 89° 59' 54" East, a distance of 80.00 feet to the POINT OF BEGINNING;

Containing 9,600.00 square feet more or less

Page 1 of 2

**Title: 83RD & NORTHERN WELL RELOCATION
APN 142-33-246
WELL SITE LAND ACQUISITION**

Preparing Firm: TRACE Consulting

Address: 1201 E. Jefferson St., Suite 3, Phoenix, AZ 85034

Phone: (602) 680-8264

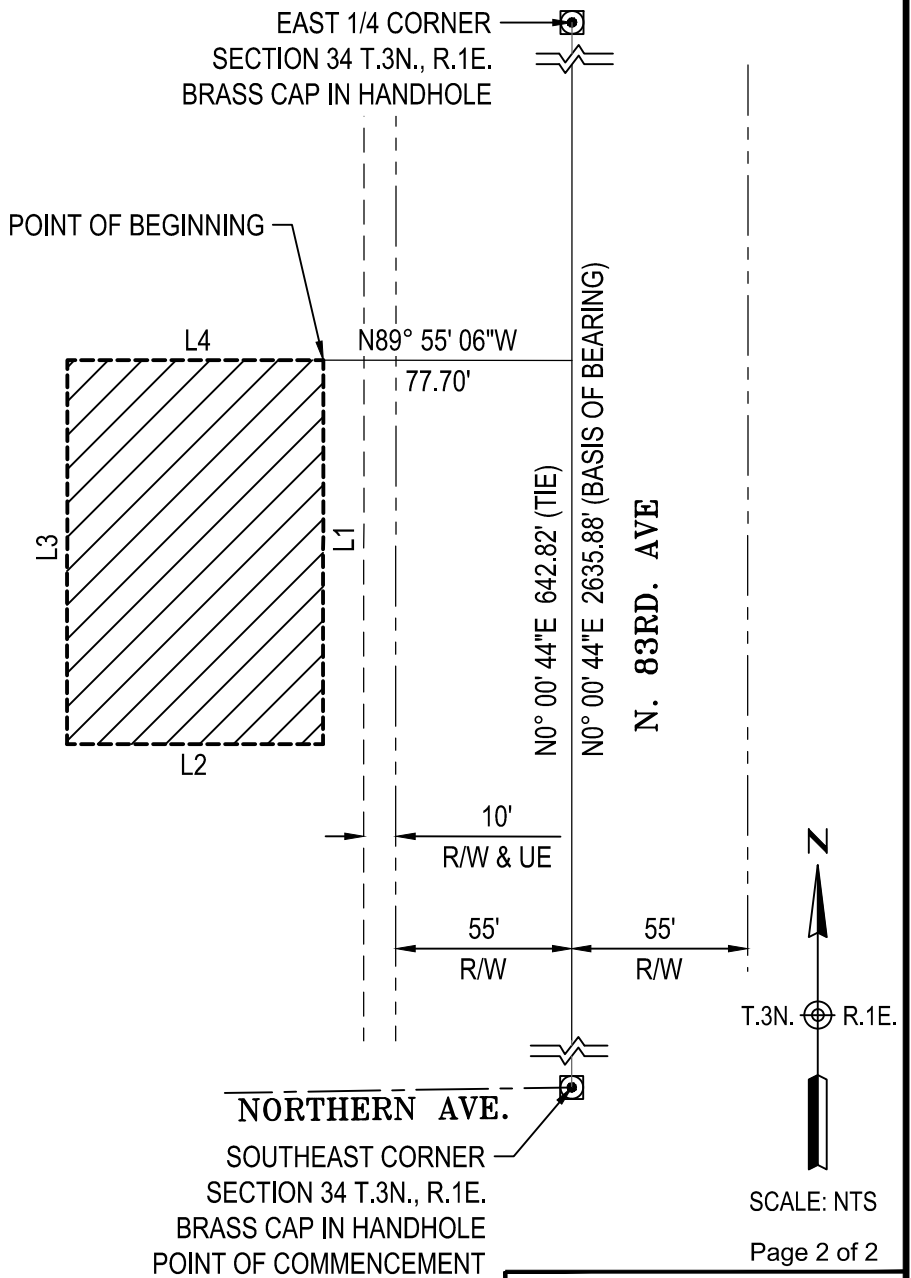




EXHIBIT A

SKETCH

APN 142-33-246
HARVEST CHURCH ASSEMBLY
OF GOD INC.



LINE TABLE		
LINE	BEARING	DISTANCE
L1	S00° 00' 44"W	120.00'
L2	N89° 59' 54"W	80.00'
L3	N00° 00' 44"E	120.00'
L4	S89° 59' 54"E	80.00'

Title: 83RD & NORTHERN WELL RELOCATION
APN 142-33-246
WELL SITE LAND ACQUISITION

Preparing Firm: TRACE Consulting

Address: 1201 E. Jefferson St., Suite 3, Phoenix, AZ 85034

Phone: (602) 680-8264

